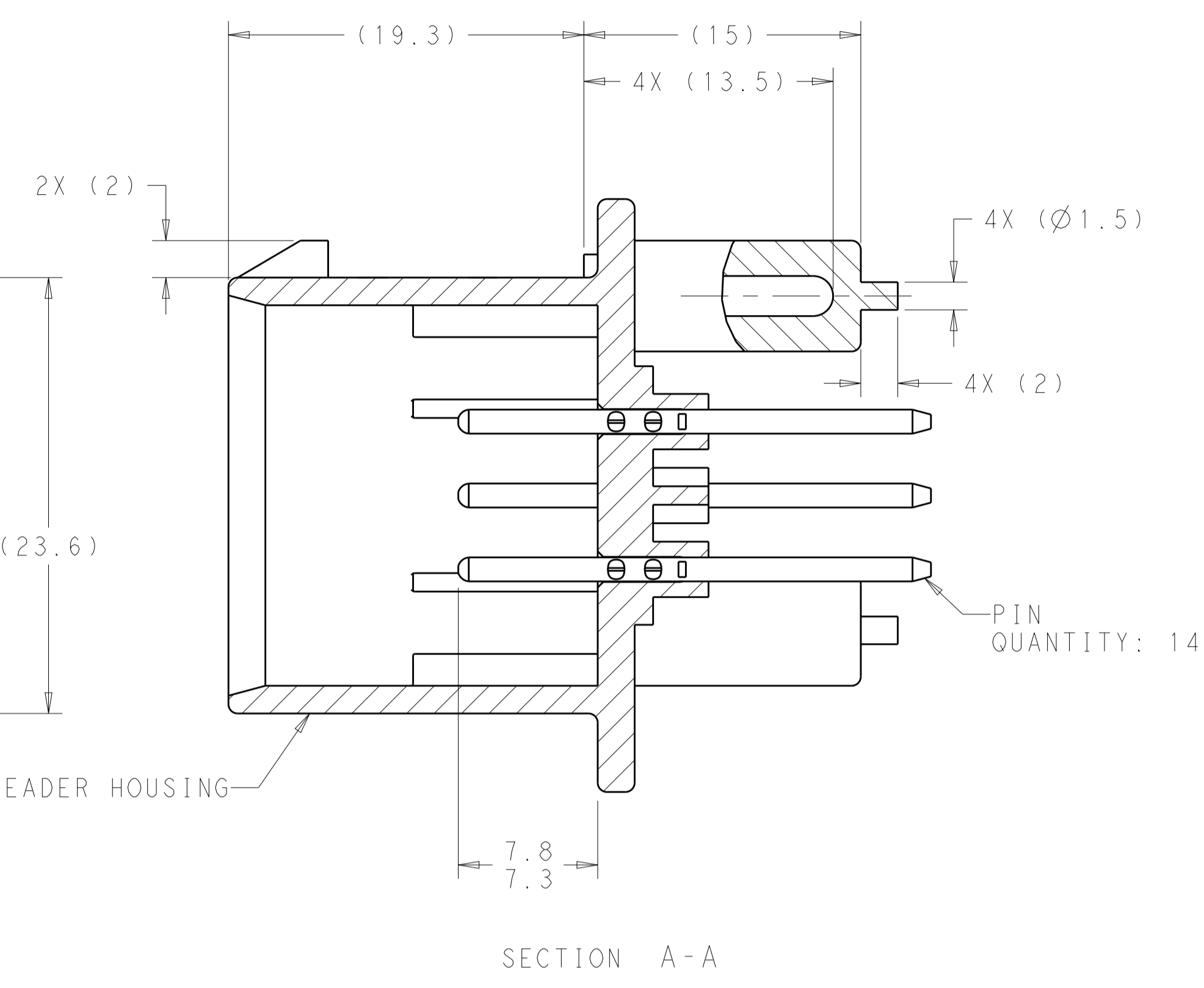
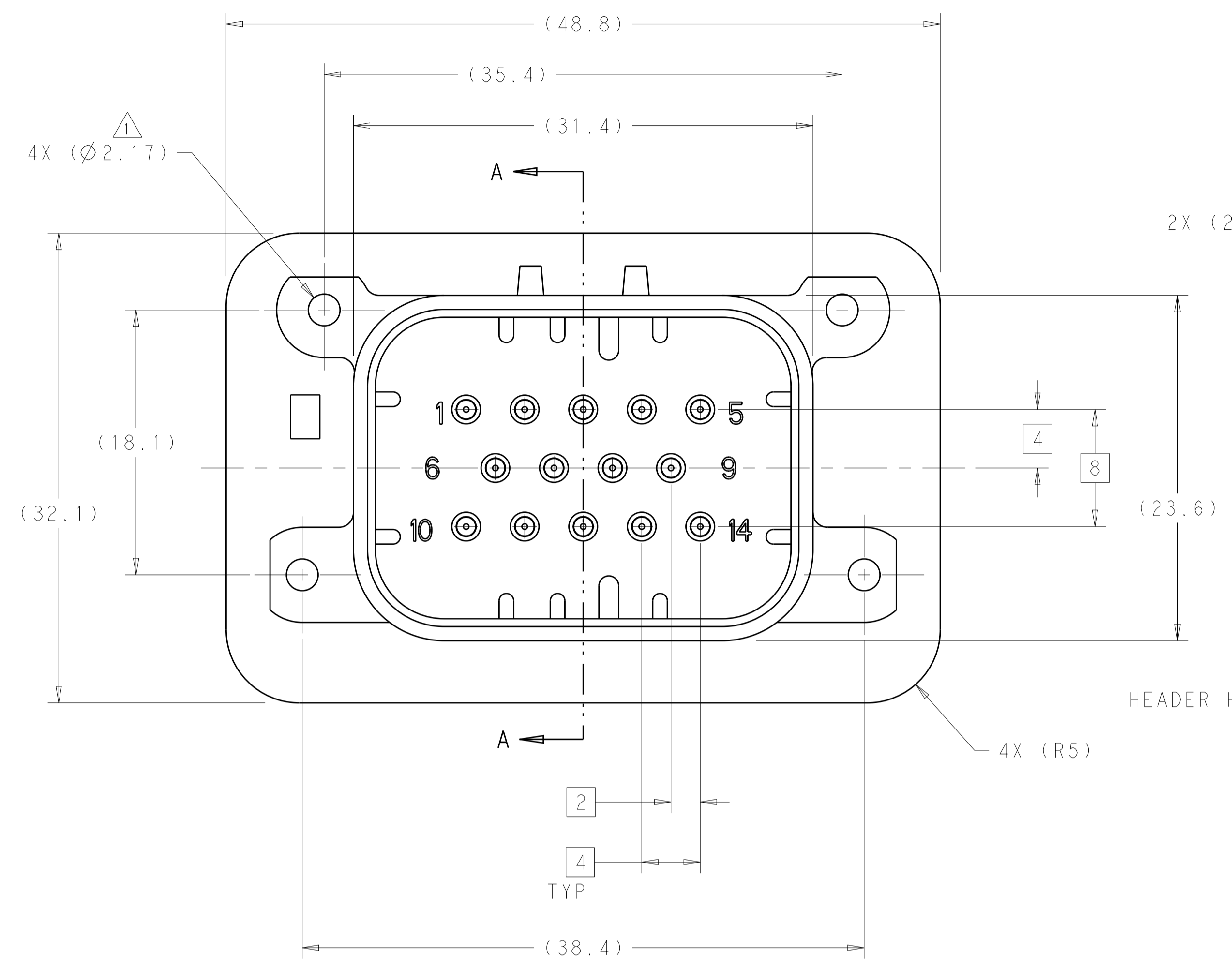
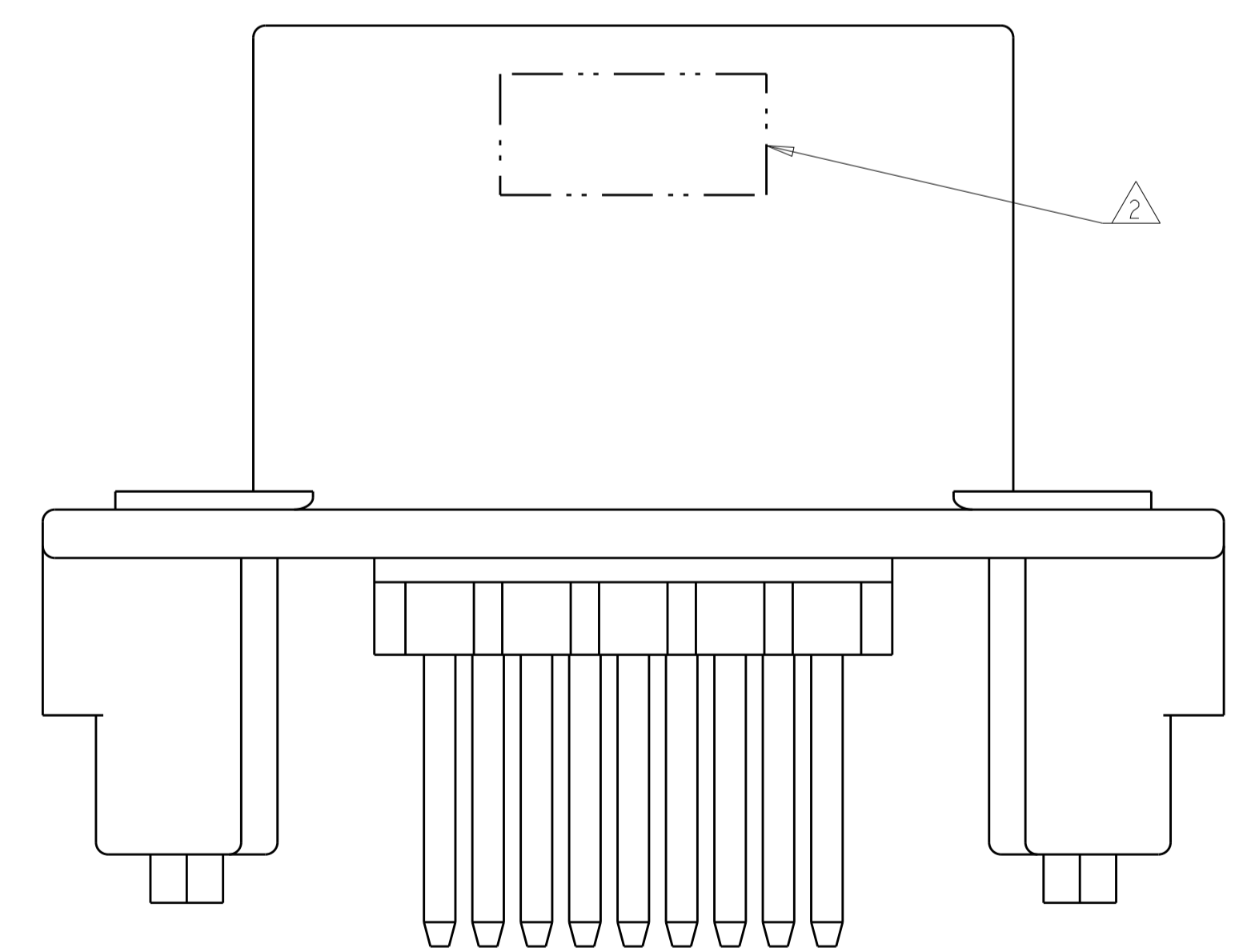


REVISIONS				
P.	LTH	DESCRIPTION	DATE	OWN APVD
A7		REVISED PER ECO-15-003872	25MAR2015	DD DS



- △ ACCEPTS #3 SELF TAPPING THREAD FORMING SCREWS OR METRIC EQUIVALENT. DRIVE TO 0.6-0.8 N-m.
- △ DATE CODE TO BE BRANDED IN THIS LOCATION PER TE SPEC 102-60. FIRST 2 DIGITS = YEAR, SECOND 2 DIGITS = WEEK LAST DIGIT = DAY.
- △ MATERIALS: HEADER HOUSING - GLASS FILLED PBT
PINS - TIN OR GOLD PLATED BRASS
- △ HOUSING COLORS ARE MECHANICALLY KEYS TO MATE ONLY WITH IDENTICALLY COLORED PLUG ASSEMBLIES.
- 5. HEADER MATES TO PLUG ASSEMBLY 776273 WHICH USES REELED TERMINAL 770520 OR LOOSE PIECE TERMINAL 770854

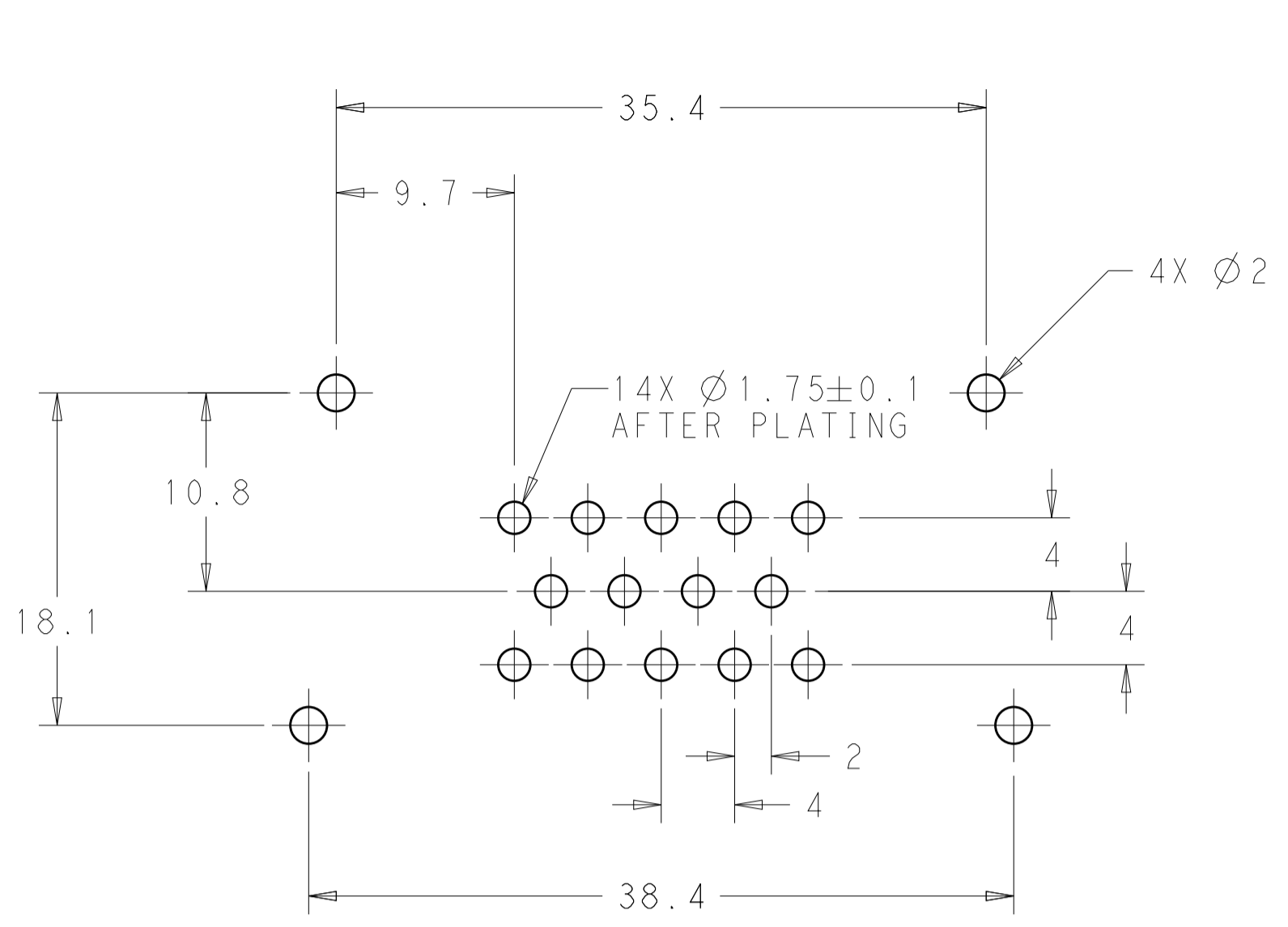


776261-1 & 1-776261-1 SHOWN

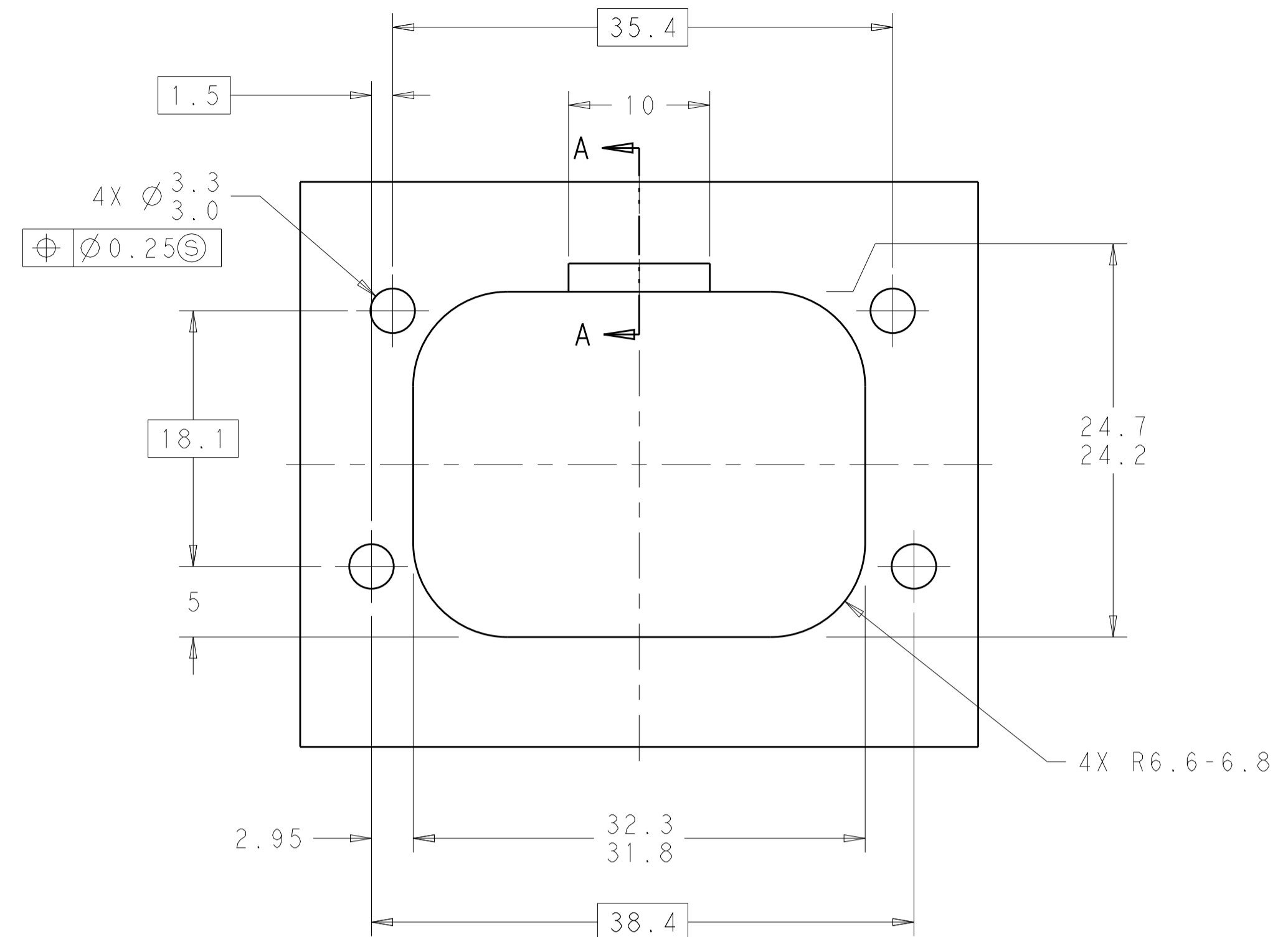
BLUE	DURAGOLD	1-776261-5
GRAY	DURAGOLD	1-776261-4
NATURAL	DURAGOLD	1-776261-2
BLACK	DURAGOLD	1-776261-1
BLUE	TIN	776261-5
GRAY	TIN	776261-4
NATURAL	TIN	776261-2
BLACK	TIN	776261-1
HEADER COLOR △	PLATING	PART NUMBER

THIS DRAWING IS A CONTROLLED DOCUMENT.		OWN: D. STRAUSSER 04FEB2010	TE Connectivity
DIMENSIONS: mm		CHK: D. STRAUSSER 22MAR2010	
TOLERANCES UNLESS OTHERWISE SPECIFIED:		APVD: D. STRAUSSER 27APR2010	NAME: HEADER ASSEMBLY, 14 POSITION, VERTICAL, AMPSEAL
0 PLC ±0.2 1 PLC ±0.13 2 PLC ±0.13 3 PLC ±0.13 4 PLC ±0.13 ANGLES ±4°		PRODUCT SPEC: 108-1329	
MATERIAL: 3		APPLICATION SPEC: 114-16016	RESTRICTED TO: A100779C=776261
FINISH: 3		WEIGHT: -	CUSTOMER DRAWING
		SCALE: 4:1	SHEET 1 OF 2 REV: A7

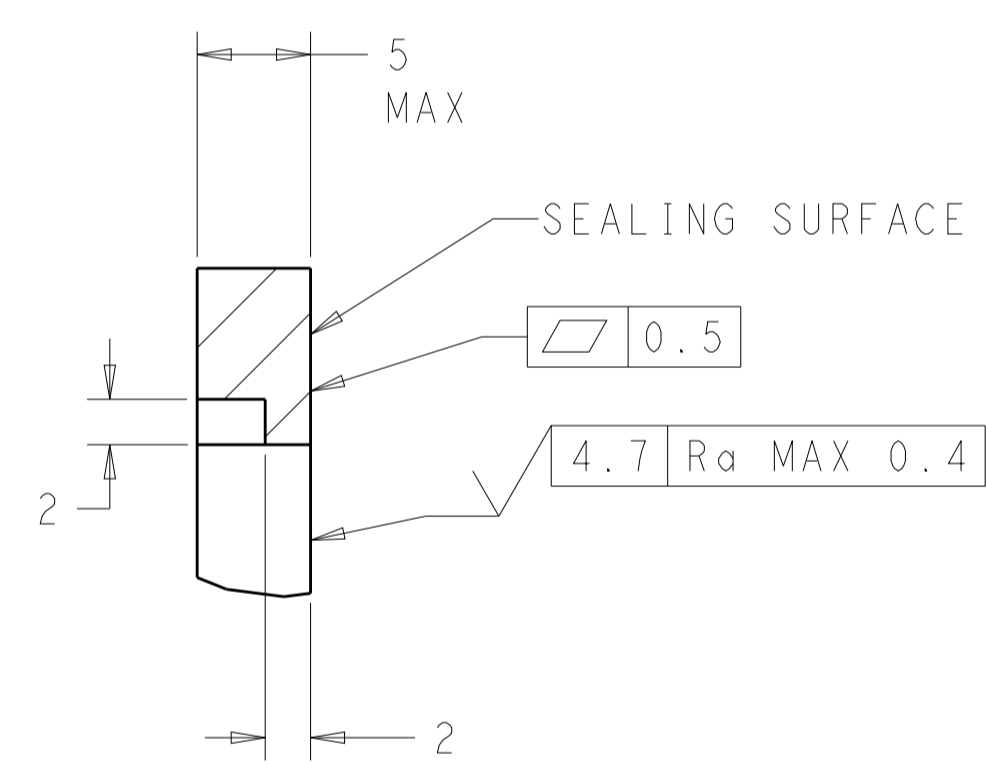
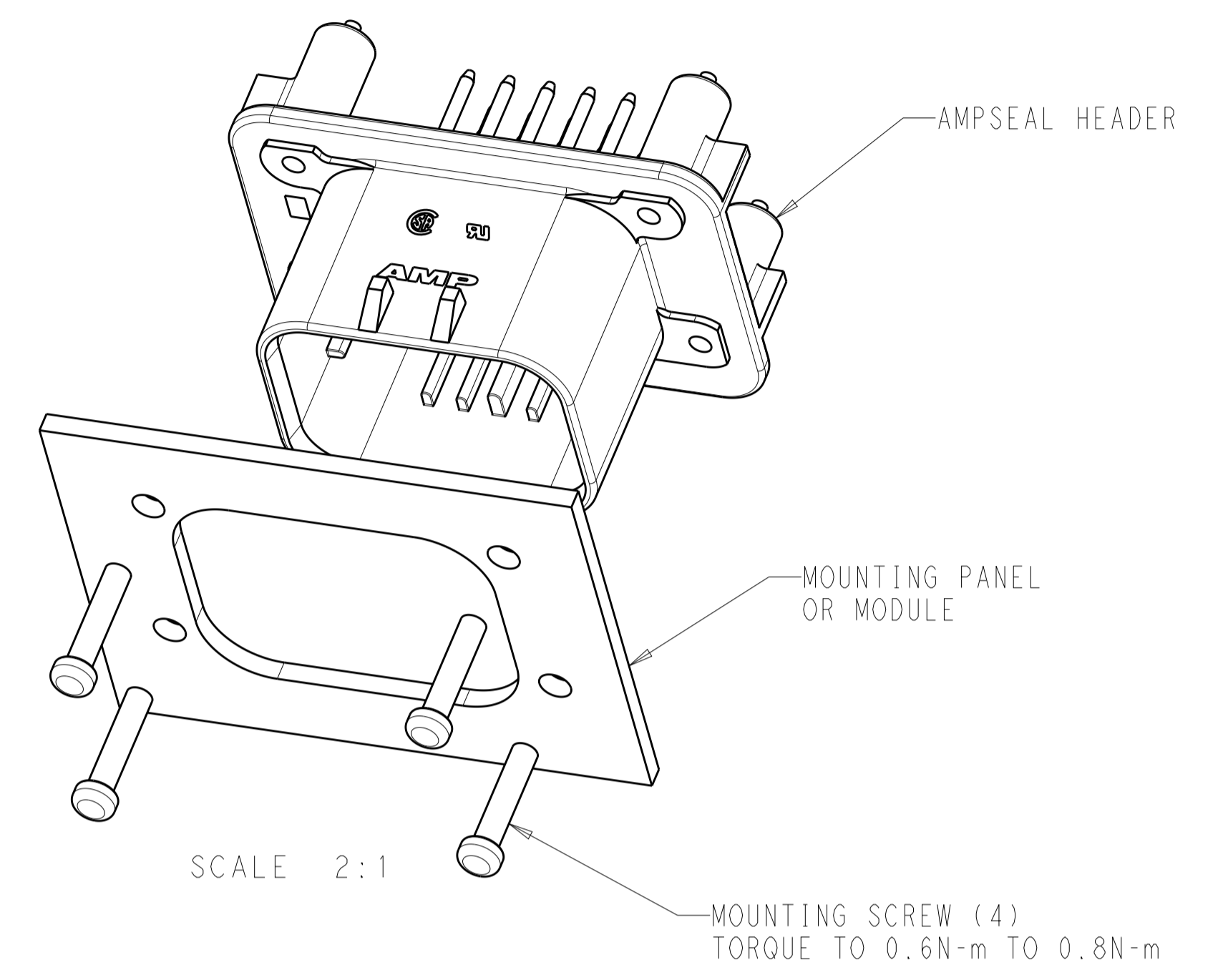
REVISIONS				
P.	LTN.	DESCRIPTION	DATE	APPV.
-	-	SEE SHEET 1	-	-



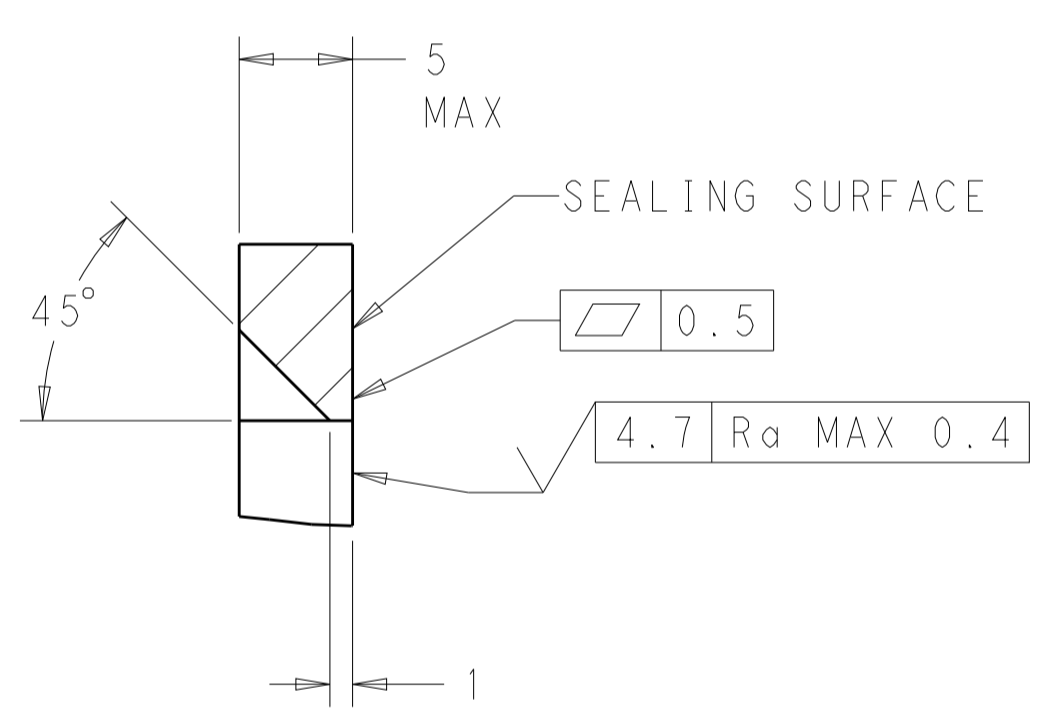
RECOMMENDED P.C. BOARD LAYOUT FOR 1.57 THICK P.C. BOARD



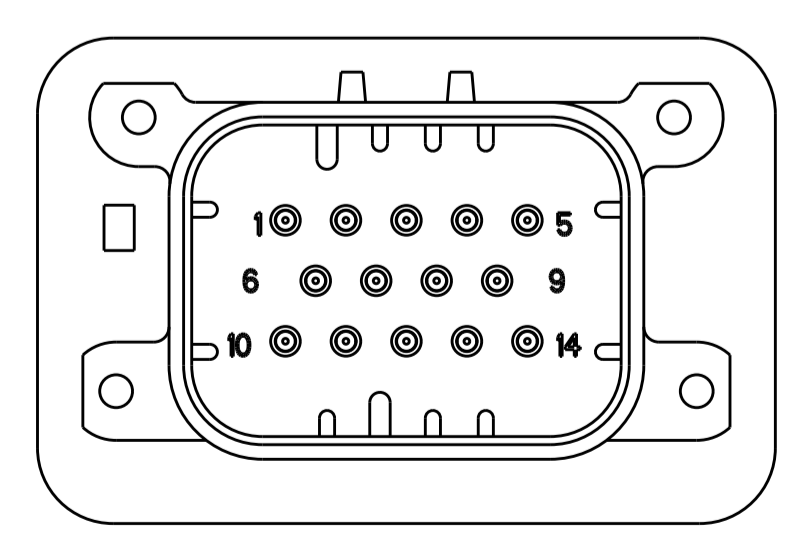
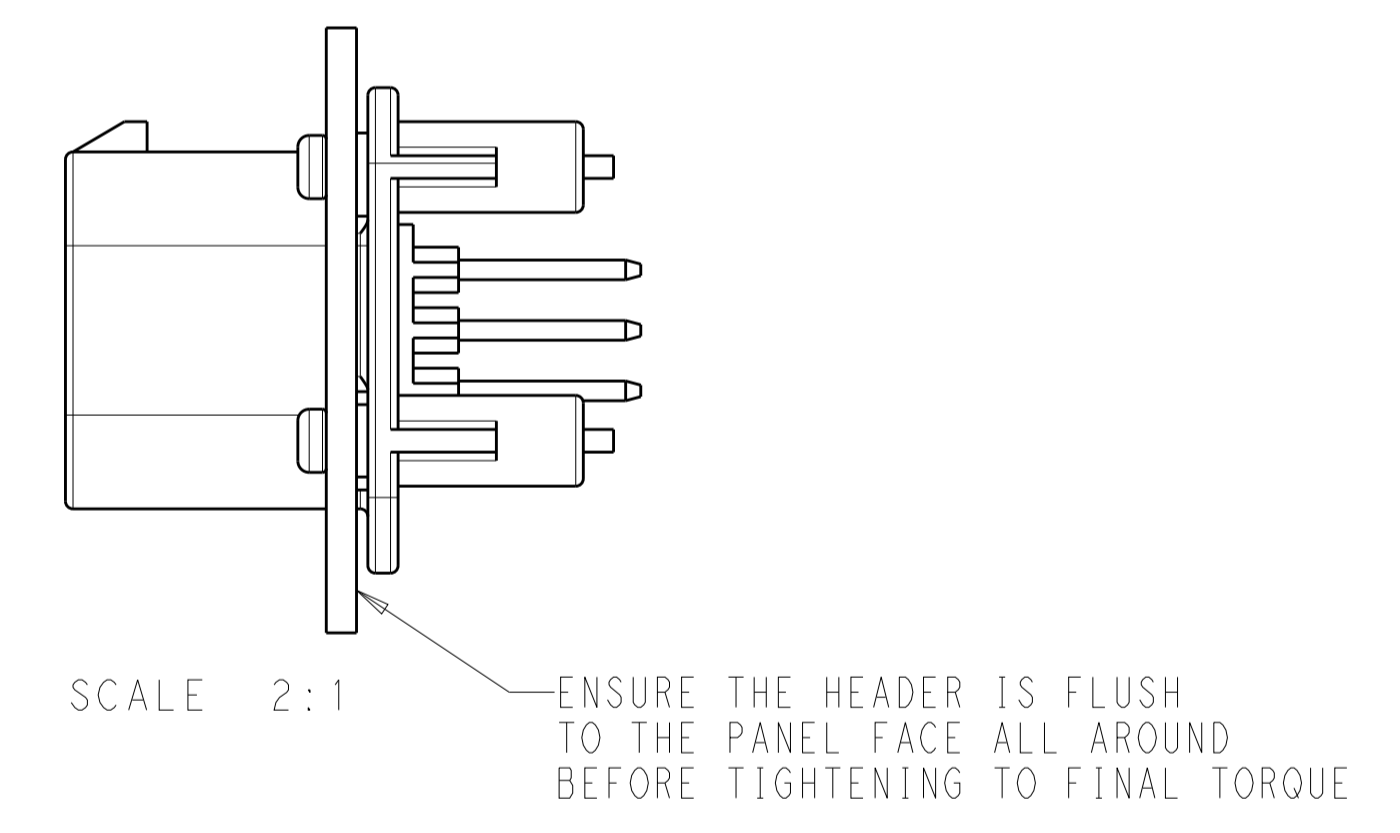
RECOMMENDED MOUNTING HOLE LAYOUT FOR 5.0 MAX THICK PANEL



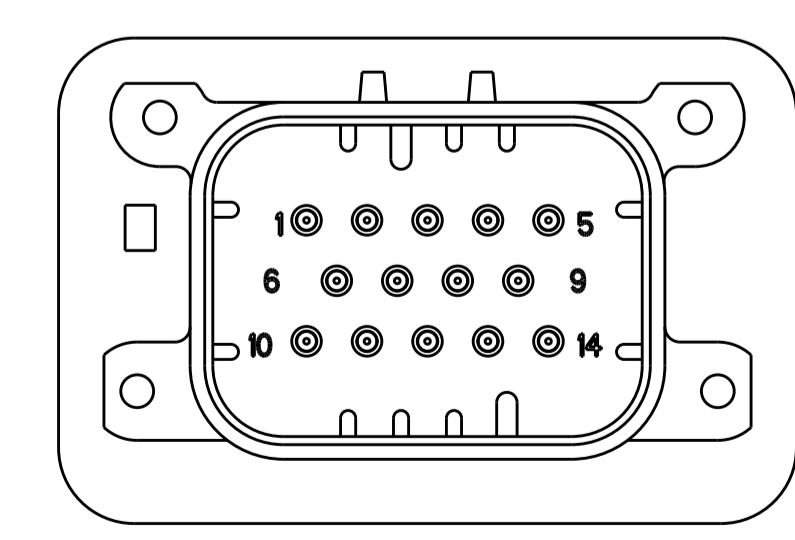
SECTION A-A
OPTIONAL CONSTRUCTION IF PANEL THICKNESS IS GREATER THAN 2.0



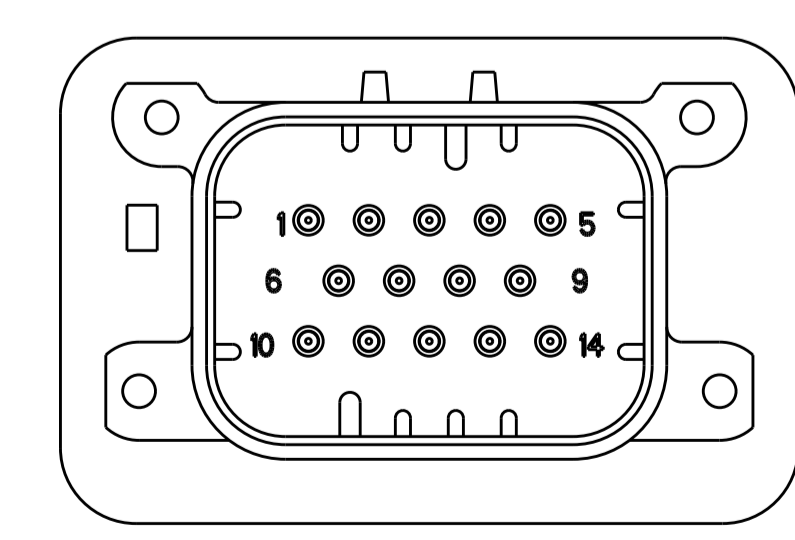
SECTION A-A
OPTIONAL CONSTRUCTION IF PANEL THICKNESS IS GREATER THAN 2.0



776261-2 & 1-776261-2
KEY LOCATION
SCALE 2:1



776261-4 & 1-776261-4
KEY LOCATION
SCALE 2:1



776261-5 & 1-776261-5
KEY LOCATION
SCALE 2:1

THIS DRAWING IS A CONTROLLED DOCUMENT.		OWN: D. STRAUSSER 04FEB2010 CHK: D. STRAUSSER 22MAR2010 APPV: D. STRAUSSER 27APR2010	TE Connectivity	
DIMENSIONS:	TOLERANCES UNLESS OTHERWISE SPECIFIED:	PRODUCT SPEC: 108-1329	NAME: HEADER ASSEMBLY, 14 POSITION, VERTICAL, AMPSEAL	
mm	0 PLC ±0.2 2 PLC ±0.13 3 PLC ±0.13 4 PLC ±0.13 ANGLES ±4°	APPLICATION SPEC: 114-16016	SIZE: A1	CAGE CODE: 776261
MATERIAL:	FINISH:	WEIGHT:	RESTRICTED TO: -	
CUSTOMER DRAWING		SCALE: 4:1	SHEET: 2 OF 2	REV: A7